



• SIGN FABRICATORS • DIGITAL PRINT & PHOTO LABS • CUSTOM PICTURE FRAMER • PROFESSIONAL ARTIST • HOBBYIST • ARTS & GRAPHIC MATTING •

# Fletcher 3100<sup>®</sup> Multi-Material Cutter

Interchangeable  
Cutting Head Technology

Score &  
Break-Out Feature  
For Glass & Acrylic



**Matboard**  
4, 8, 12 ply

**MDF**  
Up to 3/32" (2.4mm)

**Aluminum  
Sheets**  
Up to .040"

**Backing  
Board**  
Up to 3/32" (2.4mm)

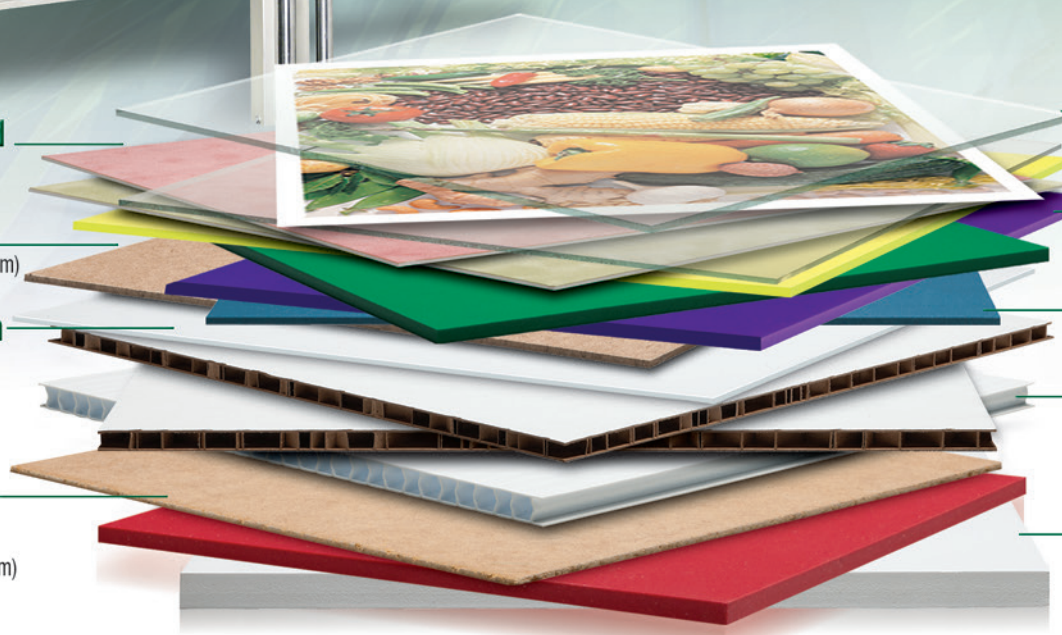
**Glass**  
Up to 1/4" (6mm)

**PVC**  
Up to 1/4" (6mm)

**Acrylic**  
Up to 1/4" (6mm)

**Corrugated  
Plastics**  
Up to 1/2" (13mm)

**Foamboard**  
Up to 1/2" (13mm)



## Accurate. Versatile. Durable. Profitable. Proven.

Since 1868, Fletcher-Terry has revolutionized advanced cutting solutions for numerous global industries. Our versatile 3100 Multi-Material Cutter features a spring-loaded cutting assembly with an interchangeable pillar post allowing you the convenience of quickly switching from one material to another.



Part # 12-212

NEW Interchangeable Cutting Head  
Cuts ACM Up to 2mm



Material Cutting & Finishing

[www.fletcher-terry.com](http://www.fletcher-terry.com)

**Plastics & Acrylics**  
Up to 1/4" (6mm)

**Gator Board**  
Up to 1/2" (13mm)

**Aluminum Sheets**  
Up to .040"

**MDF**  
Up to 3/32" (2.4mm)  
ACM Up to .078" (2mm)

**Glass**  
Up to 1/4" (6mm)

Interchangeable  
Cutting Heads



## 3100 Technical Specs

**Cutting Head:** Rides on high tensile strength steel, hard chrome plated and polished, resulting in smoother gliding action for consistent cutting head performance and longevity.

**Vertical Bars:** Rails do not bend or flex during the cutting process for straight, accurate cutting over the entire substrate height.

**Material Clamping System:** Patented lever-type clamping system that secures in place various substrate heights up to 63" (160cm) to prevent buckling and shifting of material during the cutting process.

## Unique Performance Features

- Interchangeable Cutting Head Technology
- Cuts clean debris-free, no secondary processing
- Optional laser sight line for accurate cutting
- Mounts on wall or free-standing
- Cuts wide range of substrates

## Part No Information

**Part # 04-715**

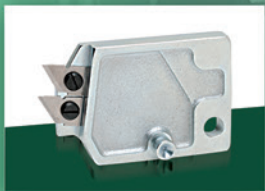
F3100 Multi-Material Cutter

### F3100 Purchase Package-# 04-715

- (4) Pillar Posts
- Mat/Foamboard
- Plastic
- MDF
- Glass
- (10) Mat/Foamboard Blades
- (10) Plastic Blades
- (10) Steel 120° Glass Wheel Units
- (1) MDF Cutting Wheel Set
- (4) Wall Mounting Brackets
- (1) Manual

### Options & Replacement Accessories

- 04-116 PVC Cutting Pillar Post (blades separate, see 05-711)
- 05-711 PVC Cutting Blades (10/tube)
- 05-715 MDF Cutting Wheel Set
- 05-716 Aluminum Cutting Wheel Set
- 05-711 M81 Mat Blade (10/tube)
- 05-004 Utility/Rail Cutter Blades (100/box)
- 04-101 Optional Mounting Stand
- 04-110 Sight-Line Laser Assembly
- 04-114 3100 Measuring Stop



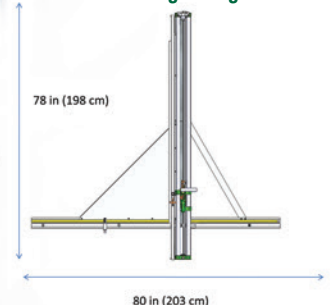
Double-blade Pillar Post for cutting PVC materials

Laser Line

### Stand Mounting Configuration



### Wall Mounting Configuration



## 3100 Market Users

Sign & Graphic  
Picture Framing  
Digital Printers

Glass & Glazing  
Government Agencies

**Fletcher Business Group**